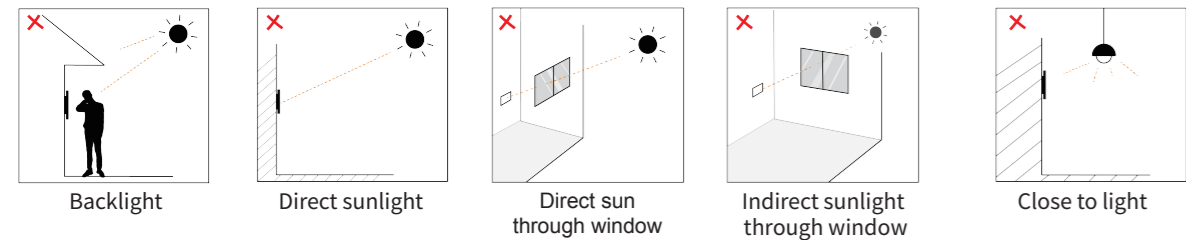


Installation Environment

Indoor and outdoor installation are supported.
If installing the device outdoors, please do not place device under direct sunlight.
If installing the device indoors, please keep device at least 2 meters away from light, and at least 3 meters away from window and door.



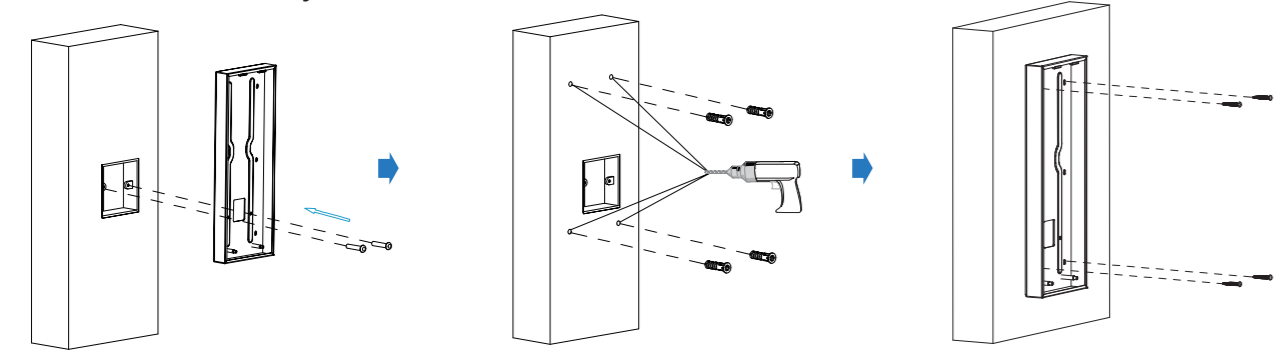
Attention:
Biometric recognition product may not be 100% accurate and applicable to all scenarios and environment.
For higher security purpose or scenario, please set up access authentication combination.

Installation

Step 1: Wall-mounting Box or Flush-mounting Box Installation

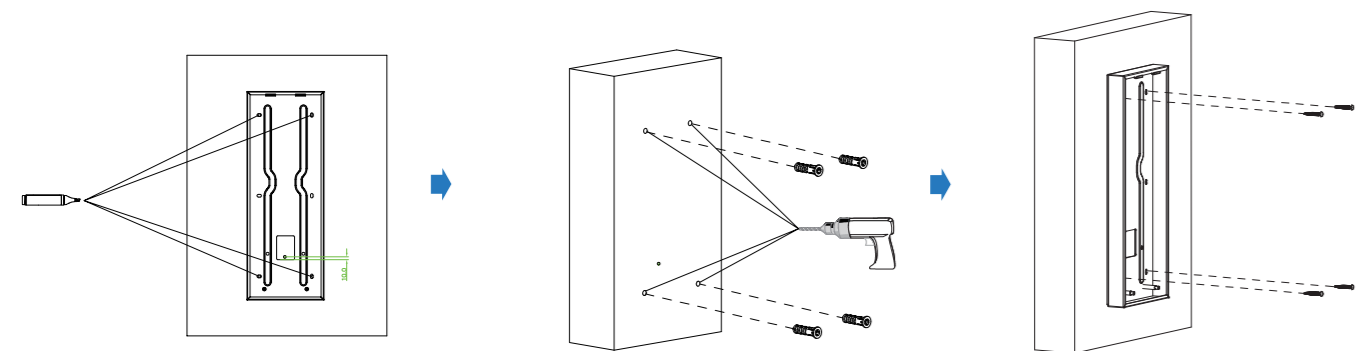
1. Wall-Mounting

1.1 With 86x86 mm embedded junction box in the wall



Fix the wall-mounting box on to the embedded box (86) with two M4x30 Screws, mark the positions of the four holes of the wall mounting box at the hole center.
Take off the box and drill the four marked holes using 5 mm drill bit hand drill before inserting the plastic wall anchors into the drilled holes.
Place the wall mounting box closely against the wall while lining up its four holes with their corresponding drilled holes and then fix the wall mounting box on the wall by tightening the four ST4 x 20 screws to the plastic wall anchors.

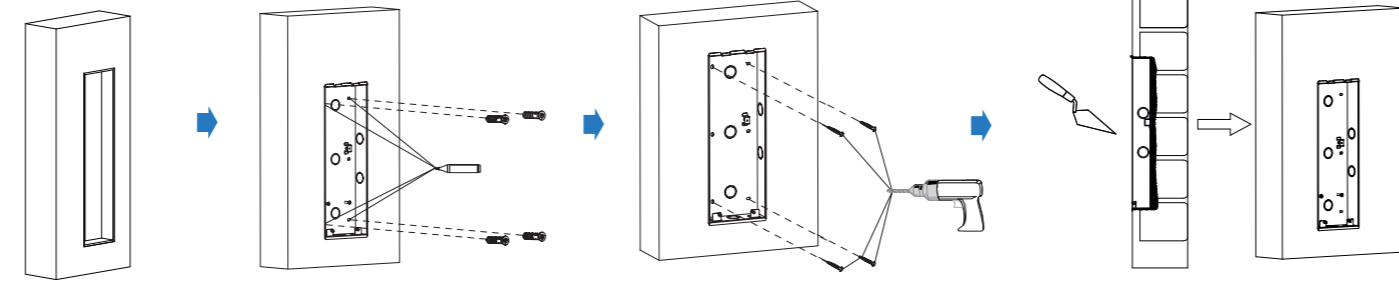
1.2 Without embedded junction box in the wall



According to the position of the wire on the wall, put the wall-mounting box closely on to the wall and mark the four positioning holes, while making sure that relative positions between wall-mounting box and wiring hole are correct.
Drill the marked holes using 5 mm drill bit hand drill before inserting plastic wall anchors in to the drilled holes.
Place the wall-mounting box closely against the wall while lining up its four holes with their corresponding drilled holes and then fix the wall-mounting box on the wall by tightening four ST x 20 screws to the plastic wall anchors.

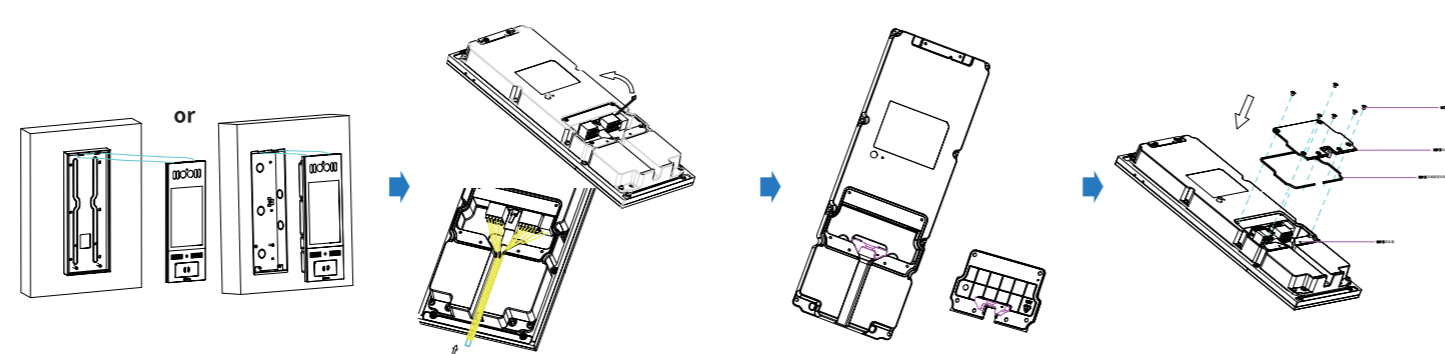
Note: It is suggested that you move the bottom edge the square hole 10 mm away from the wiring hole on the wall as highlighted in green in the drawing.

2. Flush-Mounting



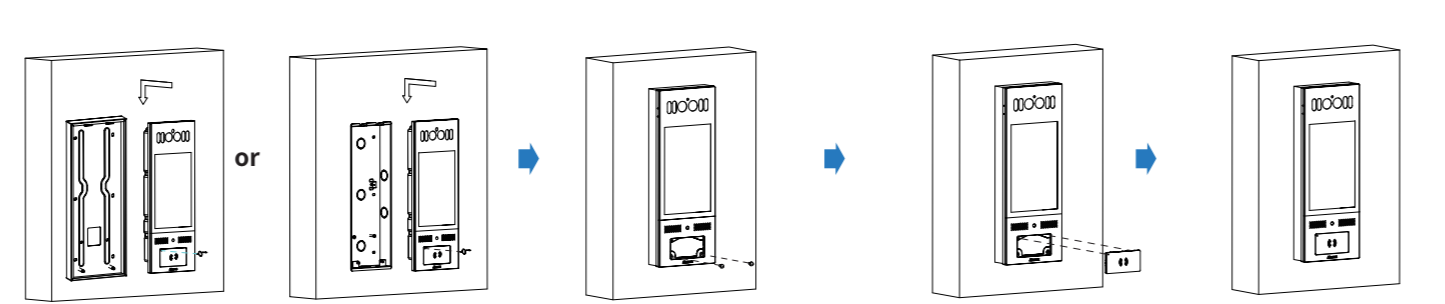
Cut out a square hole with the dimension (height* width*depth = 337*123*43 mm).
Insert the flush-mounting box in to the hole and mark the the positions of the four holes of the flush-mounting box on the wall, then take off the box and drill the holes on the marked positions using 5 mm drill bit hand drill before inserting the plastic anchors in to the drilled holes.
Break off the round knock-out wiring holes and lead the wires through the corresponding hole in to the flush-mounting box, then press the flush-mounting box in to the square hole. The upper and lower folded edges of the flush-mounting box must fit snugly against the wall. Then fix the box using the four plastic wall anchors and the four ST4x20 screws.
Make sure that the flush-mounting box are well tightened and its upper and lower folded edges are fit snugly against the wall, fill in the gap between the wall and the flush-mounting box using cement or non-corrosive structural adhesive and wait until the cement is hardened before proceeding to the next step.

STEP 2: Back cover Installation



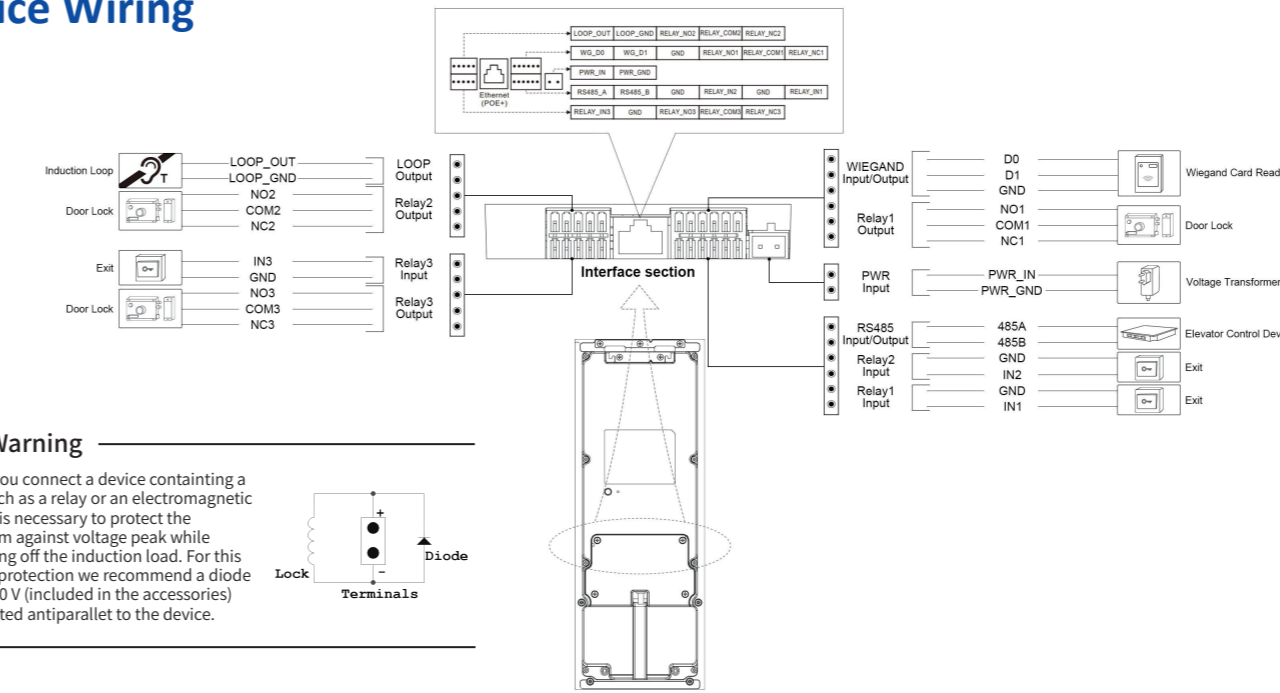
Hang the one end of the rope on to the square hanger on the wall-mounting/flush-mounting box then hang the other end of the rope on to the square hook on the device for the convenience of the later wire installation etc.
Connect the wires to the terminal blocks as needed (for details, refer to "Device Wiring"), then insert the terminal blocks into the corresponding interface of the main board as indicated in the drawing according to the number of PIN.
Choose a suitable size rubber plug (small, large and medium) to hold down the wires, while tearing off the adhesive sticker on the selected rubber plug and stick it on to the X915 back cover and then tear off the adhesive sticker on the other rubber plug of the same size and stick it on to the back cover in the position as indicated in the drawing.
Press the X915 back cover silicone rubber sealing ring in to the corresponding groove as indicated by the arrow and then tighten the back cover using the six M3x4 screws to its corresponding holes.
Note: The pry bar attached can be used to unplug the terminal blocks if needed.

STEP 3: Device Mounting



Take off the rope and hang the device on to the two square hangers on the wall-mounting/flush-mounting box. Stick the plate removal key in to the small hole on the upper left corner of the card reader touch plate to pull out the plate.
Drive the two Torx screws in to their corresponding holes.
Press the card reader touch plate in to the card reader opening.
Installation is completed.

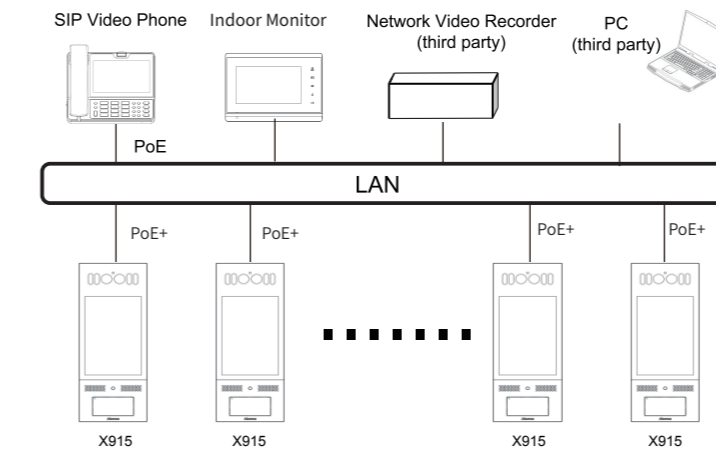
Device Wiring



Warning

When you connect a device containing a coil, such as a relay or an electromagnetic lock, it is necessary to protect the intercom against voltage peak while switching off the induction load. For this way of protection we recommend a diode 1 A / 200 V (included in the accessories) connected antiparallel to the device.

Application Network Topology



Configuration

1.IP address Checking: Press 9999 on the dial screen, then press 3888 to enter the system screen and click **Info** to check the device IP address. X915 uses DHCP by default.
2.Account Registration: On the web interface, go to the path **Account -> Basic** page to register and fill in the account information. (please refer to user manual for more information)

Operation

Make a call: Enter the IP or SIP number and press Dial tab to make a call.
Receive a call: X915 supports Auto Answer by default. Incoming call from indoor device will be answered automatically.
Unlock by PIN: Enter the PIN code on the home screen for the door access.
Unlock by RF Card: Place the configured RF card on the RF card reader area for the door access.



Notice Information
Information contained in this document is believed to be accurate and reliable at the time of printing. This document is subject to change without notice, any update to this document can be viewed on Akuvox's website: <http://www.akuvox.com> © Copyright 2020 Akuvox Ltd. All rights reserved.



Unpacking

Before you being using the device, please check the version you obtained and ensure that the following items are included in the shipped box:

Mainframe Accessories :

- X915 x 1
- Rubber Plug(Small)x2
- Rubber Plug(Medium)x2
- Back Cover x 1
- Rubber Plug(Large)x2
- Silicon Rubber Sealing Ring x 1
- M3x4 Screw x 6
- Torx Screw x 2
- Torx Wrench x 1
- Card Reader Touch Plate x 1
- Plate Removal Key x 1
- Rope x 1
- 2 x 6 PIN Terminal Blockx 1
- 2 x 5 PIN Terminal Blockx 1
- 2 PIN Terminal Block x 1
- Pry bar x 1
- Diode x 3

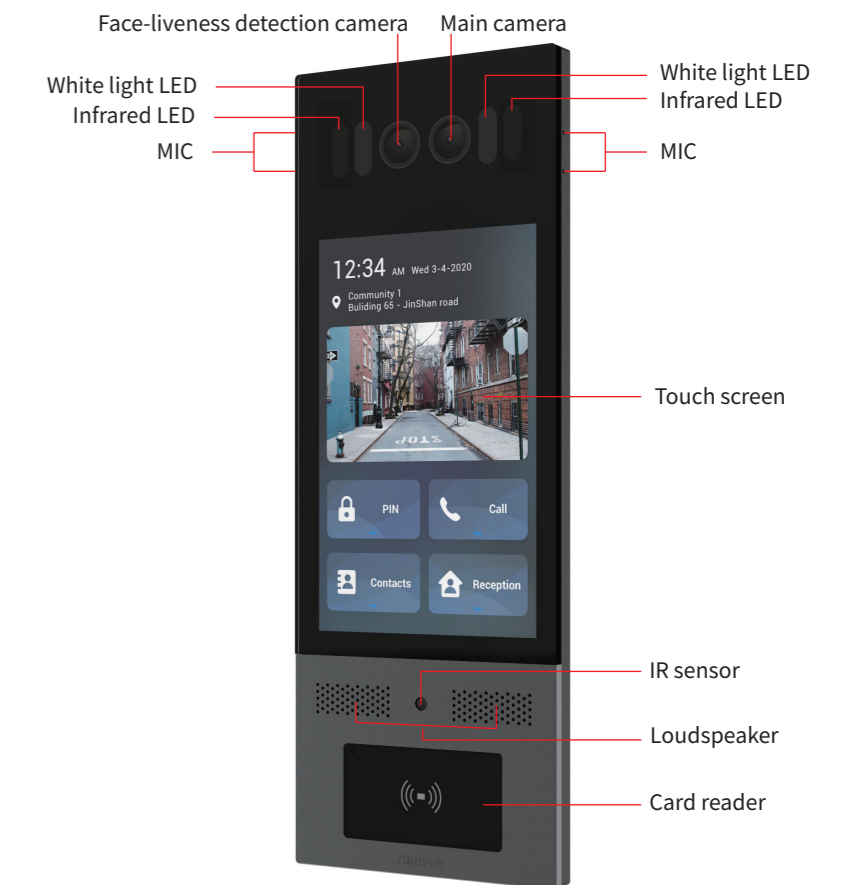
Flush-mounting Accessories (Please find in In-Wall Installation Kit box):

- Flush-mounting box x 1
- ST4 x 20 screw x 4
- Plastic Wall Anchor x 4

Wall-mounting Accessories (Please find in On-Wall Installation Kit box):

- Wall-mounting box x 1
- M4 x 30 Screw x 2
- ST4 x 20 screw x 4
- Plastic Wall Anchor x 4

Product Overview



X915X